

INSTALLATION INSTRUCTIONS

HYDRAULIC LIFT KIT
MFG. NO. 1690774

1. Remove the tractor seat by removing two click pins. Remove the seat support by removing four clips and washers.
2. Two holes must be drilled in plate (7, figure 1) located behind tractor seat in order to install hose clamps. (The right-hand clamps are item 2 in figure 1.) Refer to figure 2 to mark and drill holes.

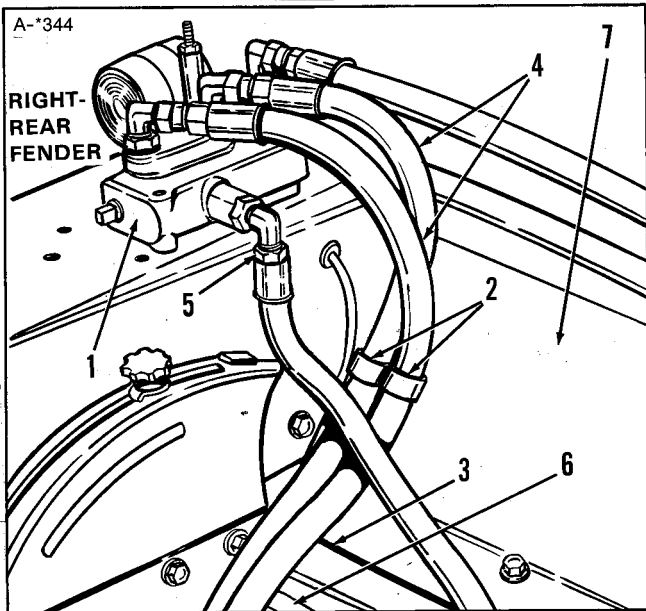


Figure 1.
1. Valve
2. Clamps
3. Molding Strip
4. Hoses
5. Connection
6. Rod
7. Plate

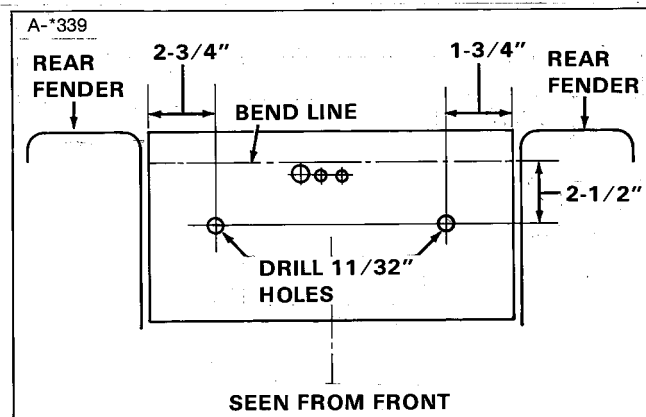


Figure 2.

3. Two holes must be drilled in the right-hand rear fender to install the valve (1, figure 1). First, remove the fender brace. Cut out the supplied template (on last page of these instructions). Align template with creases on fender and mark two spots. Drill two 17/64 inch holes.

4. If manifold (2, figure 3) (Kit #2097211) is not installed, install now as follows.

- a. Remove the transmission cap (1, figure 3) by removing three screws.
- b. Install the three elbows (1, figure 4) as shown into manifold. Place the manifold in a vise with brass jaws to tighten. Tighten the elbows and then tighten the nuts against the manifold while holding elbows. Make sure the elbows are positioned as shown in figure 4.

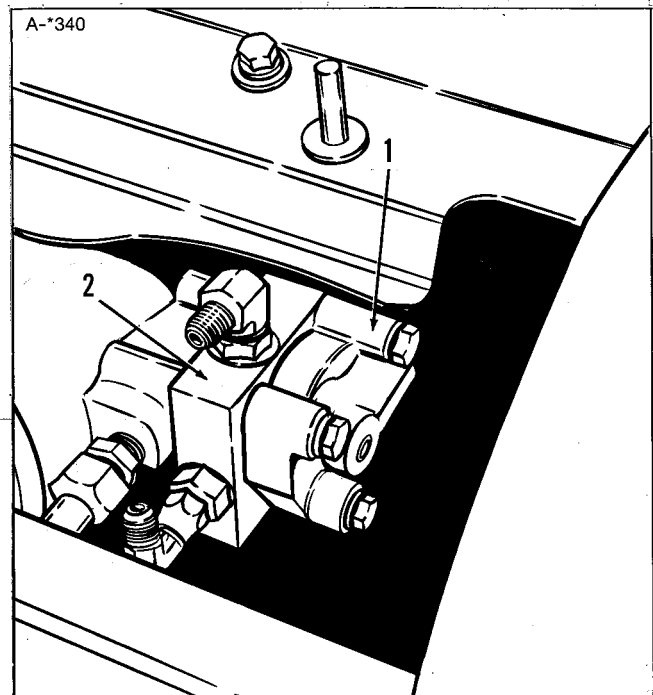


Figure 3.

1. Cap (on left side of transmission)
2. Manifold

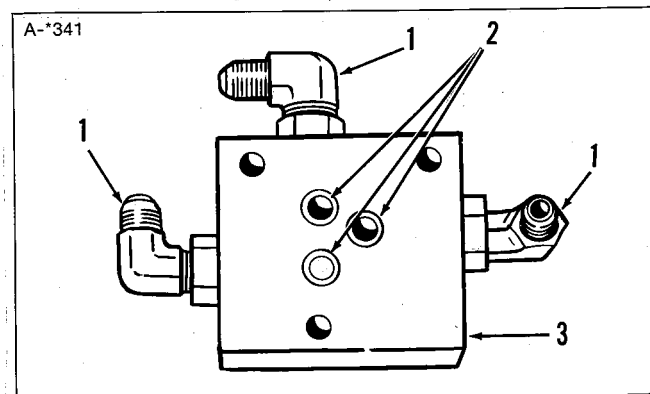


Figure 4.

1. Elbows
2. O-Rings
3. Manifold

18. Install the shortest remaining hose as follows. Connect the 30° end to the elbow on front of manifold on the transmission. Connect the straight end to the elbow on the left side of the valve on the fender. Tighten both ends. See item 19 in figure 7.
19. Connect the remaining hose with 30° bend to elbow on back of the manifold. Connect the straight end to the elbow on left-rear of control valve. Tighten both ends. See item 17 figure 7.
20. Install the one remaining hose as follows. Connect the end with 45° bend to elbow on top of manifold. Connect the other end to right-rear elbow (1, figure 10) on control valve. Tighten both ends.
21. Use the remaining clamps (14, figure 7) to secure hoses (12 and 17) using the hole drilled earlier.
22. Install the cover (8) and handle (2) as shown in figure 7. This completes installation. Make sure all connections are tight. When re-installing the seat support, route the hose (19, figure 7) out the right-hand side of the support.

NOTE

The following steps are for installation with front-end loader only.

23. Install the shortest remaining hose as follows. Remove the hose completely that goes from the front elbow of the manifold to the loader valve. Connect the 30° end of the shortest new hose to front elbow of manifold. Connect the straight end to the elbow on left side of valve on fender.
24. Install the next shortest hose as follows. Disconnect the hose from rear of manifold and install the tee valve supplied with loader. Connect the end of the new hose with the 45° bend to the tee. Connect the other end to left-rear elbow (2, figure 10) of control valve. Reconnect the existing hose to the tee.

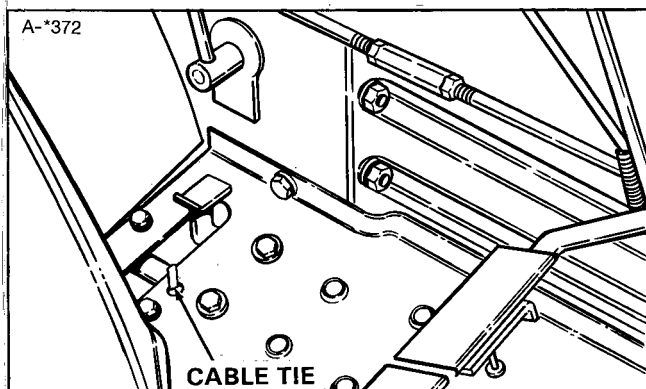


Figure 9

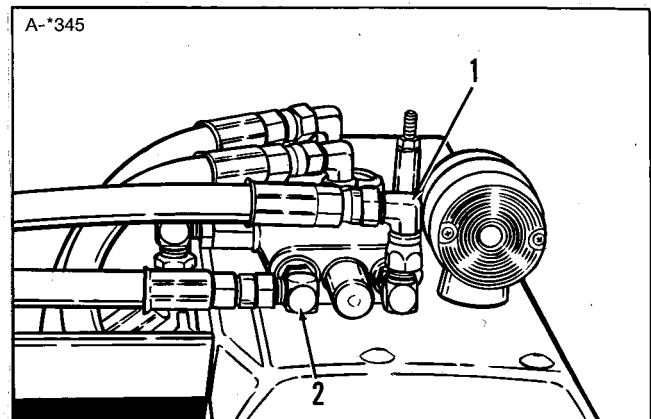


Figure 10.

1. Right-Rear Elbow
2. Left-Rear Elbow

25. Install the one remaining hose as follows. Connect the end with the 45° bend to vacant elbow on loader valve (hose was removed in step 23). Connect the other end to right-rear elbow (1, figure 10). Install cover (8, figure 7) and handle (2) as shown. This completes the installation.

INITIAL START-UP

After installing an implement, start up the tractor and operate the hydraulic lift. Stop the engine and check the transmission oil level.

A-*347

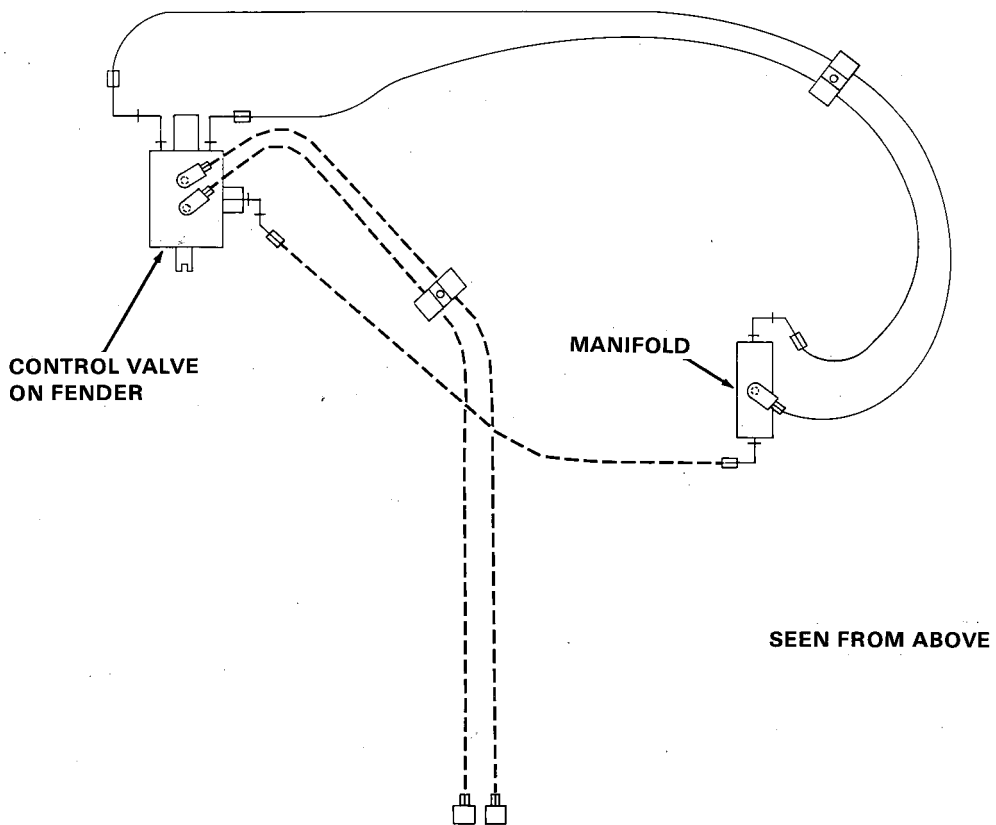


Figure 11. Hose Diagram - Snowthrower

A-*348

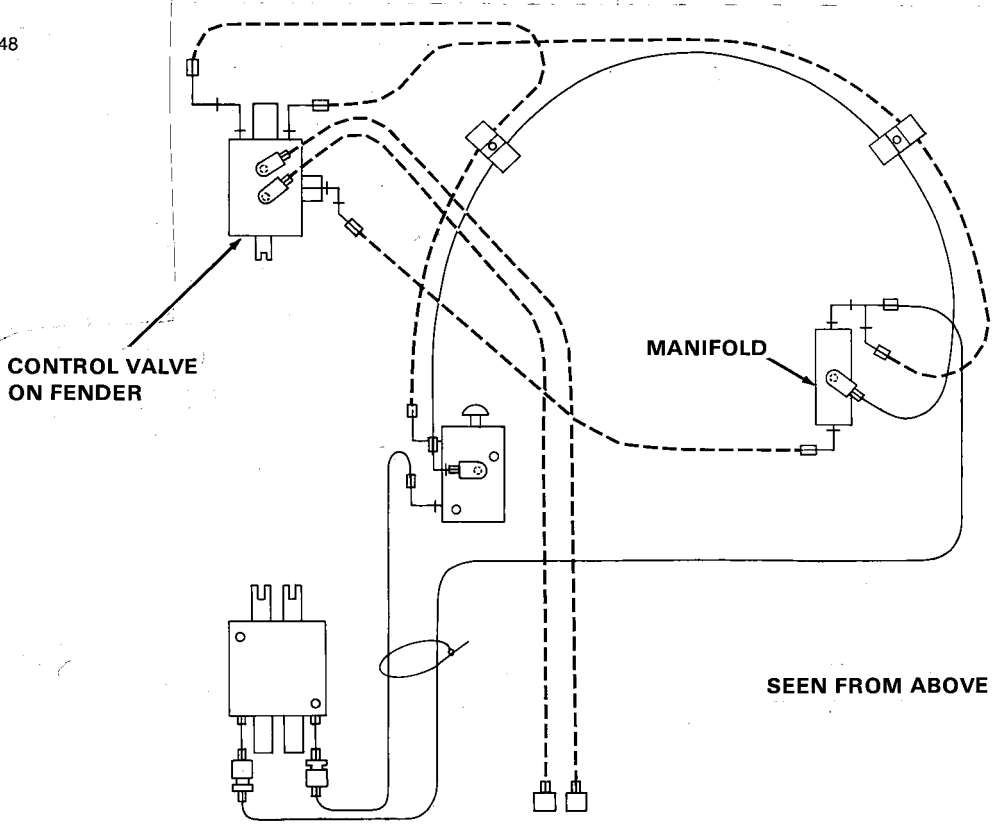
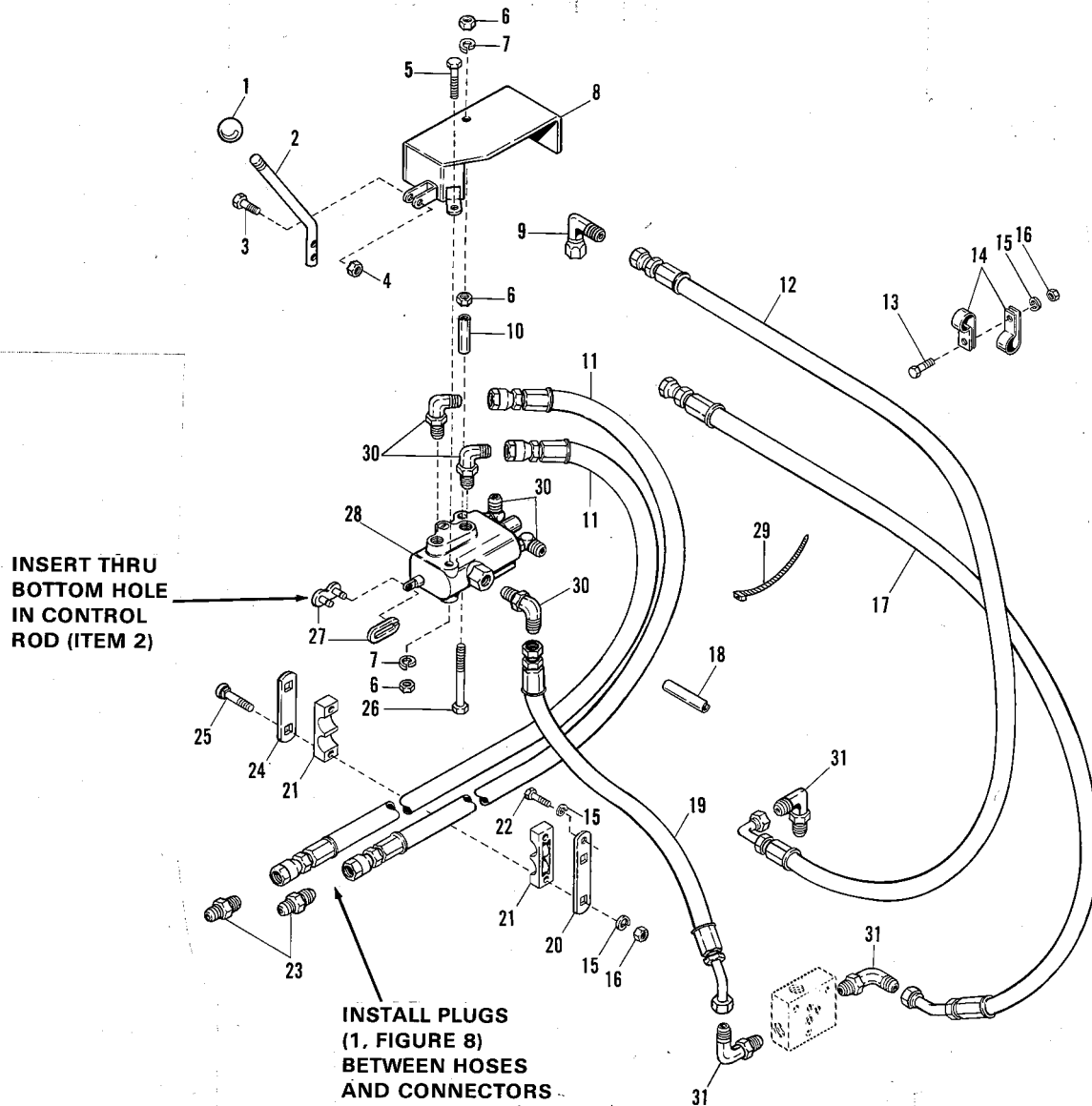


Figure 12. Hose Diagram - Snowthrower and Loader

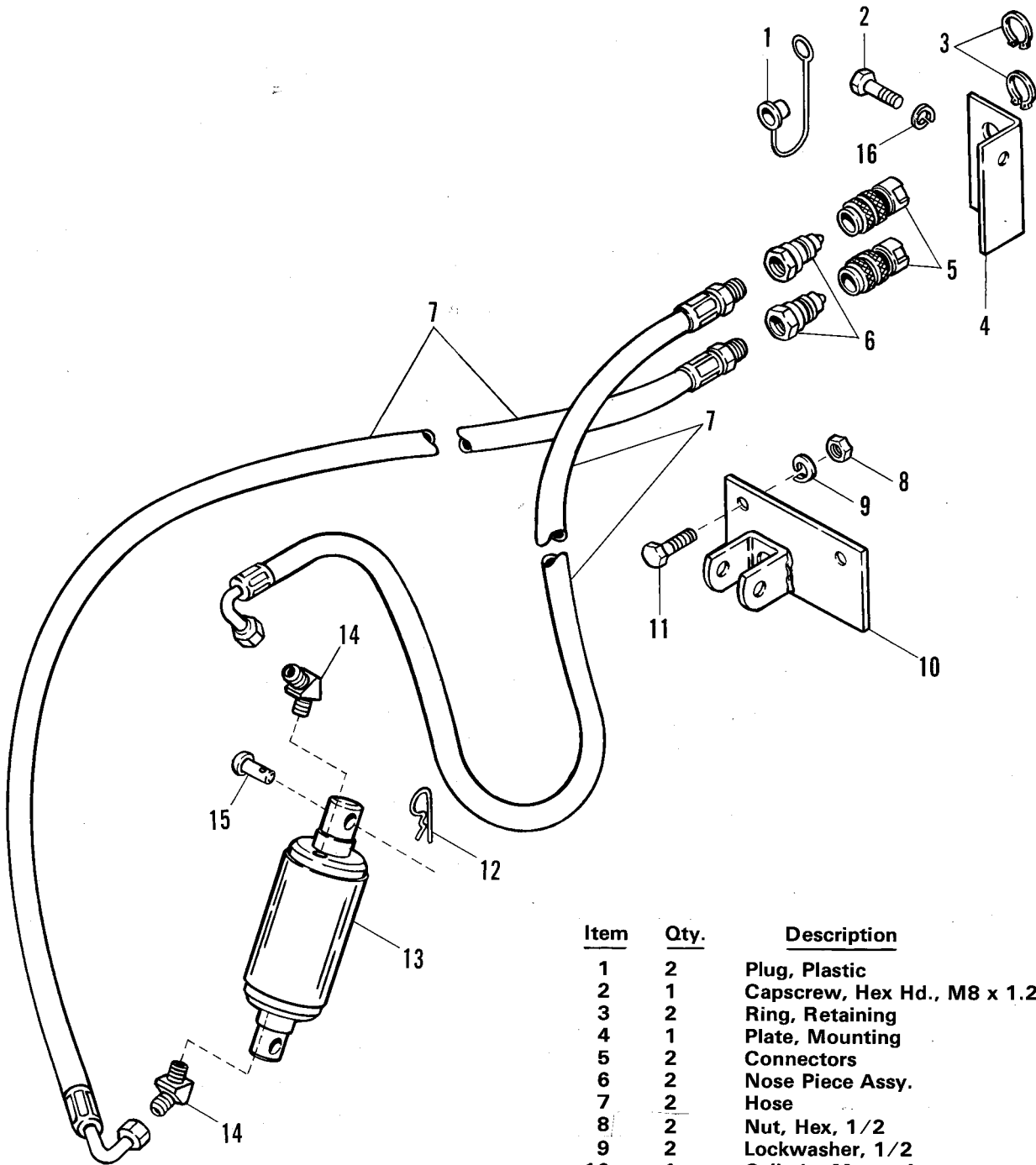
Item	Qty.	Description	Item	Qty.	Description
1	1	Knob	17	1	Hose Assy.
2	1	Rod, Control	18	1	Moulding
3	1	Capscrew, Hex Hd., 1/4-20 x 1-1/4	19	1	Hose Assy.
4	1	Nut, Hex, Lock, 1/4-20	20	1	Bracket
5	1	Capscrew, Hex Hd., 1/4-20 x 2	21	2	Cushion
6	3	Nut, Hex, 1/4-20	22	1	Capscrew, Hex Hd., M8 x 1.25 x 20 MM
7	2	Lockwasher, 1/4	23	2	Connector, Male
8	1	Cover Assy.	24	1	Strap
9	1	Elbow, Swivel Nut	25	2	Bolt, Carriage, 5/16-18 x 2
10	1	Spacer	26	1	Capscrew, Hex Hd., 1/4-20 x 4
11	2	Hose, Valve to Cylinder	27	1	Connecting Link
12	1	Hose Assy.	28	1	Control Valve (Incl. 2 of Ref. No. 30)
13	2	Capscrew, Hex Hd., 5/16-18 x 1	29	2	Cable Tie
14	4	Clamp	30	5	Elbow, 90°
15	5	Lockwasher, 5/16	31	3	Elbow, 90°
16	4	Nut, Hex, 5/16-18			



A-346

Figure 7. For Snowthrower

A-**343



Item	Qty.	Description
1	2	Plug, Plastic
2	1	Capscrew, Hex Hd., M8 x 1.25 x 20 MM
3	2	Ring, Retaining
4	1	Plate, Mounting
5	2	Connectors
6	2	Nose Piece Assy.
7	2	Hose
8	2	Nut, Hex, 1/2
9	2	Lockwasher, 1/2
10	1	Cylinder Mount Assy.
11	2	Capscrew, Hex Hd., 1/2 x 1-1/4
12	2	Clip, Spring
13	1	Cylinder
14	2	Fitting
15	2	King Pin
16	1	Lockwasher, 5/16

Figure 8.

- c. Place three O-rings (2, figure 4) in the manifold.
- d. Place flat side (without O-rings) of the manifold (2, figure 3) against the transmission. Place the cap (1) over the manifold and install with supplied M8 x 1-1/4 x 70 mm screws and lockwashers. Torque to 11 ft. lbs.
5. Install the elbows (1 and 2, figure 5) into control valve (3). Place the valve in a vise with brass jaws. Screw the elbows into the valve, index as shown, then tighten nuts while holding elbows. Notice that the swivel elbow (2) is installed in an elbow (1).

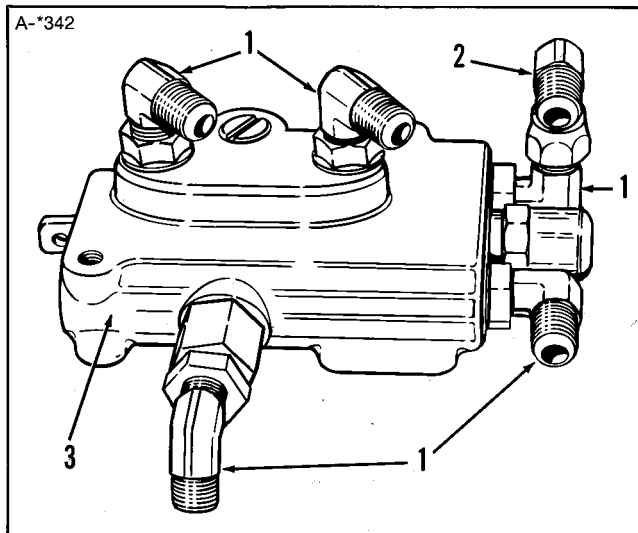


Figure 5.

1. Elbow
2. Swivel Elbow
3. Control Valve

6. Install valve to fender (figure 1) with hardware shown in figure 7 but do not install cover at this time. Re-install fender brace.
7. Install the mounting plate (1, figure 6) as follows.
 - a. Remove the existing screw and washer. Install the plate with a M8 x 1-1/4 x 20 mm screw and 5/16 lockwasher.
 - b. Insert the connectors (5, figure 8) into mounting plate (4) and install retaining rings (3) to hold connectors firmly in place.
8. Install the cylinder mount (10, figure 8) to front of tractor with hardware shown.
9. Install nose pieces (6), hoses (7) and cylinder (13) with parts shown.
10. There are two long identical hoses (4, figure 6). (These hoses are item 11 in figure 7). Connect the hoses, plugs (2) and connectors (5) as shown.

11. Route these two hoses under the right-hand footrest and then up to the right-hand rear fender. Route hoses over top of lift lever rod (6, figure 1). Use the supplied cable tie to secure the two hoses to footrest (see figure 9).
12. Remove the screw and washer located at rear of right-hand side panel to install bracket (3, figure 6). Install the bracket with a M8 x 1-1/4 x 20 mm screw and lockwasher.
13. Connect the two hoses with cushion (21, figure 7) and other parts as shown in figure 6.
14. Place the molding strip (3, figure 1) over edge for support to rear of lift lever bracket, to prevent hoses (4) from wearing on the edge.
15. Connect the two hoses (4, figure 1) to the two top elbows on valve as shown.
16. Use the hole drilled earlier to secure the hoses with the clamps (2, figure 1). Use 5/16 x 1 screw, lockwasher and nut.
17. If a front-end loader is not install on tractor, perform steps 18 thru 22. If a loader is installed, perform steps 23 thru 25. You may wish to refer to diagrams, figures 11 and 12.

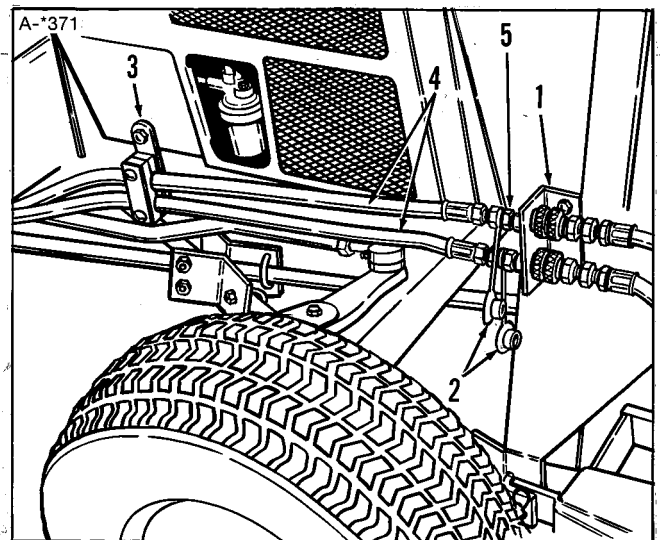


Figure 6.

1. Mounting Plate
2. Plastic Plugs
3. Bracket
4. Hoses
5. Connector

